

/ Date (MM/DD)

TEL : 0198-21-5225 FAX : 0198-41-8171 MAIL : info@sawahb.com
 To see all our products please visit our website at https://sawahb.com

Screw Vacuum Head Application Form

Ver 1.1 Creation date: April 2025

Company Name		Department	Head of Department
Postcode		Company Address	
Phone Number	Fax Number	Email Address	

[Please check the desired items] Technical meeting Product price Custom demo machine (Paid)

Please fill out the information below and send by fax or email. If there are any parts that are unconfirmed or unclear, you may leave them blank.

A Shape Specifications

Screw Type			Screw Hole		
<input type="checkbox"/> Pan Head	<input type="checkbox"/> Flat Head	<input type="checkbox"/> Oval Head	<input type="checkbox"/> Truss Head	<input type="checkbox"/> Binding Head	<input type="checkbox"/> Hex Nut
<input type="checkbox"/> Hex Bolt	<input type="checkbox"/> Hex Socket Head	<input type="checkbox"/> Hex Socket Set Screw	<input type="checkbox"/> Button Head	<input type="checkbox"/> Hex Spacer	<input type="checkbox"/> Other

Diameter: M Head Diameter: Φ Screw Length: mm Tapping Specifications

Material: Iron Stainless Steel Aluminum Resin Other ()

B Tightening Tool (Electric Driver • Nut Runner)

Operation: Automatic or Manual Manufacturer: Model: or Undecided

No. of screws tightened per workpiece: No. of workpieces per day:

Tightening direction: From above ↓ From below ↑ Horizontally ⇄ Tightening Torque: N • m (Tolerance ± %)

C Bit Specifications

Mounting Shaft Shape

$\Phi 4$

$\Phi 5$

Hex 5

Hex 6.35

Other ()

Bit Tip Number

Plus Bit (Phillips)
 #00 #0 #1 #2

Torx Bit
 T8 T10 T20 Other ()

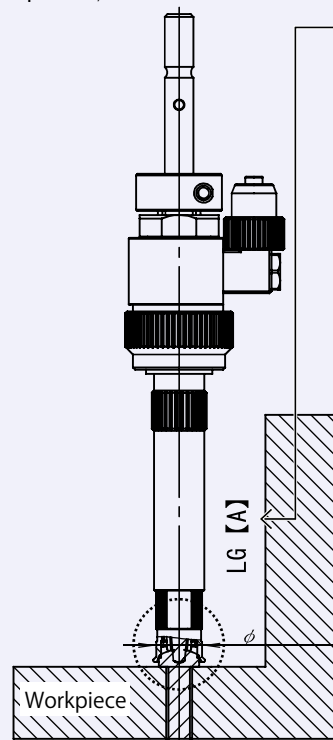
Hex Bit
 H1.5 H2 H2.5 H3 Other ()

Total length of bit mm

D Workpiece Specifications

* If selection is difficult, please send us the workpiece.

When using screws, bolts, cap screws, set screws



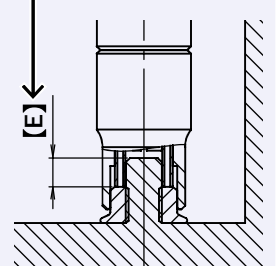
[A] If there is an interfering object
 Height of object (mm)

[B] Outer diameter limit
 (Φ) Desired or less

[C] Quality of material
 ()

[D] Desired material of vacuum head
 Rubber Stainless Steel
 ※ The vacuum head for bolts and nuts is made of stainless steel.

[E] Thread allowance
 (mm) ※ For nut threading only



When using nuts

E Do you have trouble tightening screws?

Vacuum Head Application Process

1. Submit Screw Vacuum Head Application Form

Please fill out the application form with as much detail as possible.
Every product is manufactured to meet the customer's individual requirements.
After receiving an application form, we will confirm and discuss details if necessary
(via email, Microsoft teams meetings, etc.).

2. Provide quote and exterior drawings

We will provide a quote and exterior drawings which will take about 2 weeks.

3. Ordering

After receiving an order, it will take approximately 35 days to manufacture the product.

4. Product testing

In house testing of the suction level and accuracy with 5 target screws.
If the target screw is unique, we will need to borrow 5 for testing.

5. Shipping

It will be shipped in a secure cardboard box.

6. After-sales follow up

Warranty is guaranteed for 1 year after shipment. Please download the instruction manual and maintenance materials from our website (<https://sawahb.com/download>).
Please check the card included with the product for the download password.

Please visit
our website
for more info

